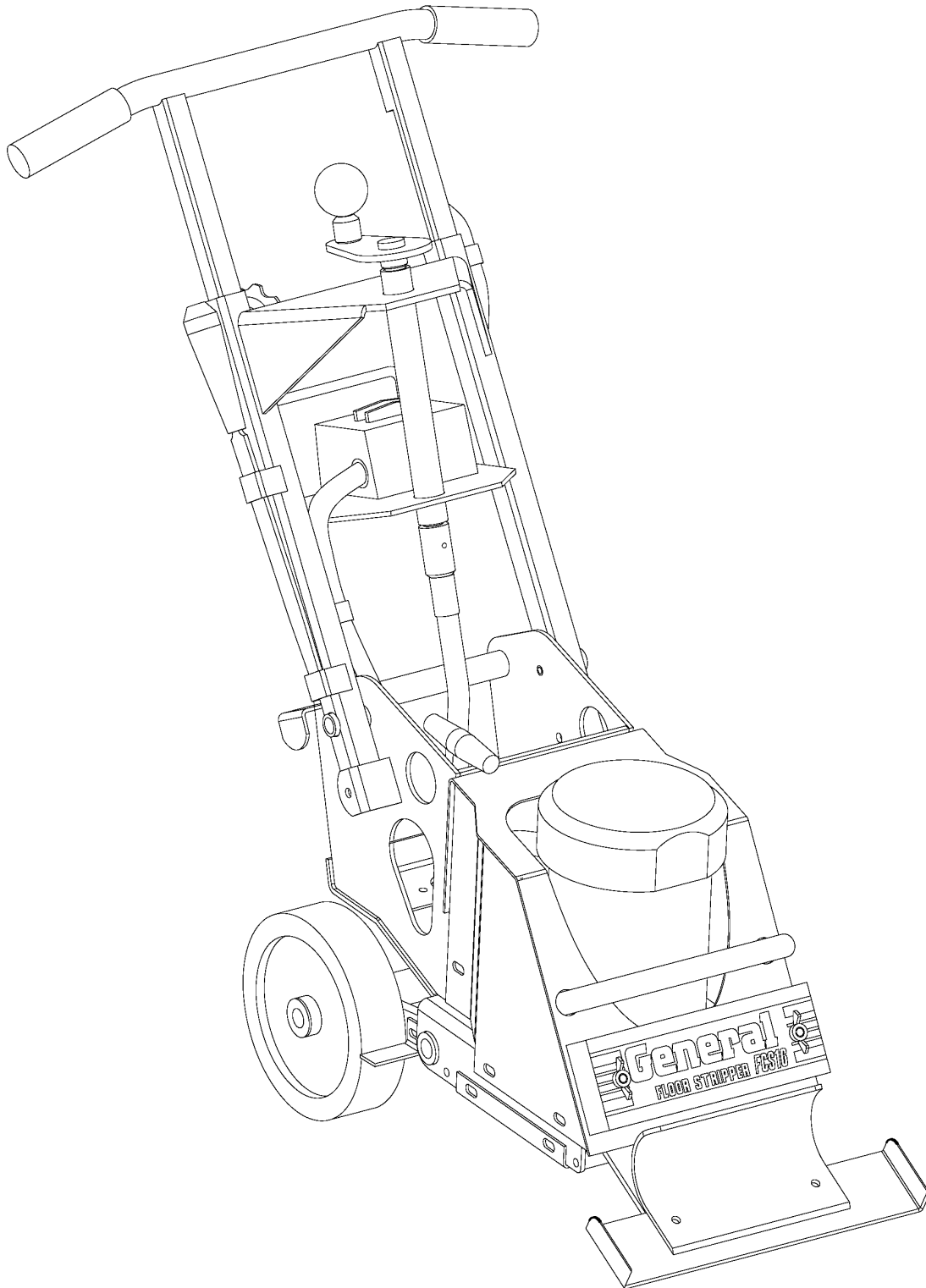
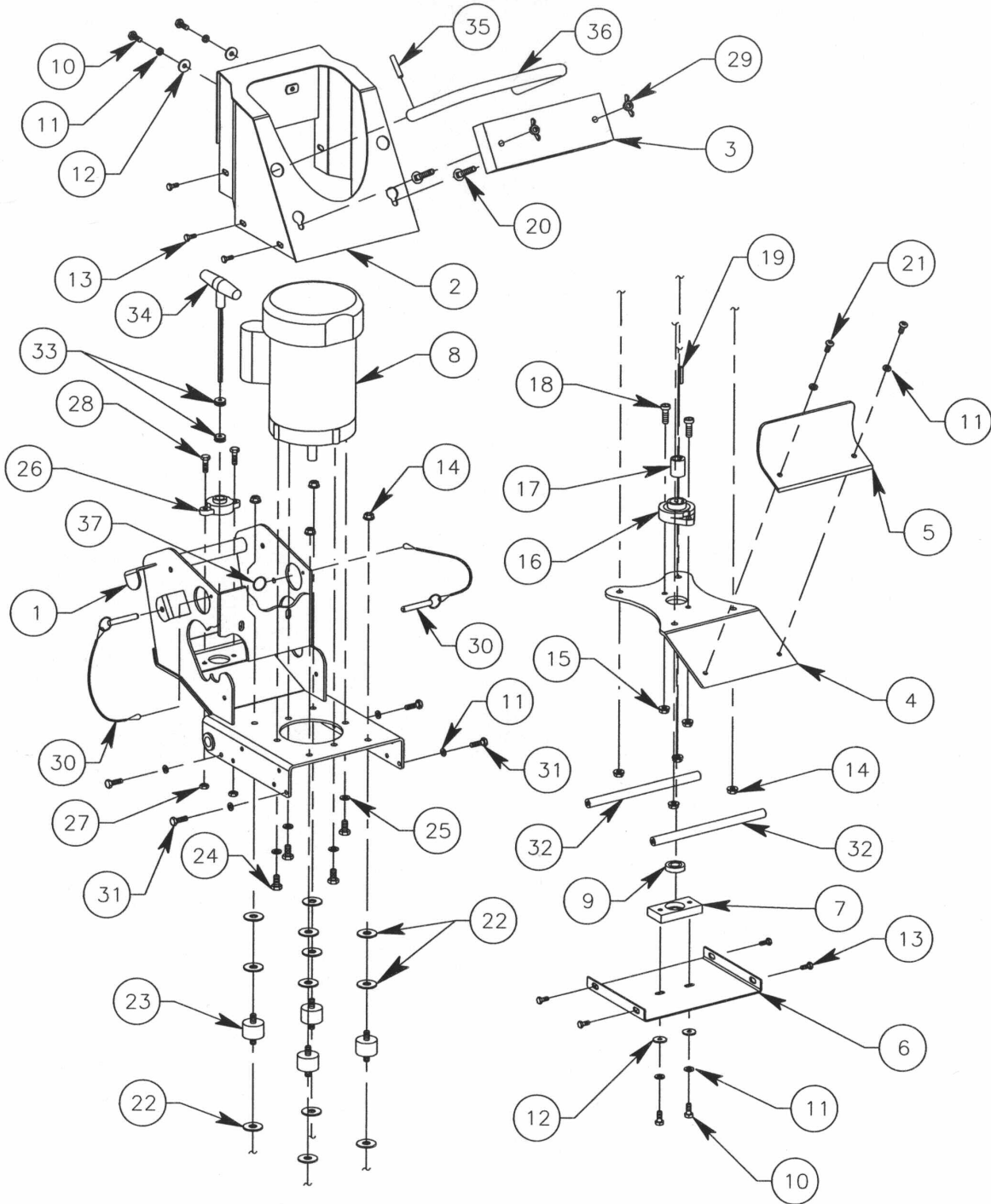


FCS16 Floor Covering Removal Machine Replacement Parts Diagrams Section



Know what's below.
Call before you dig.

Frame Assembly FCS16 Floor Covering Scraper [Serial Numbers 25550 Thru 26796]



Frame Assembly
FCS16 Floor Covering Scraper
[Serial Numbers 25550 Thru 26796]

REFERENCE NUMBER	PART NUMBER	DESCRIPTION	QTY
1	FCS16-0010	Frame	1
2	FCS16-0170	Cover, Motor	1
3	FCS16-0230	Block, Weight	1
4	FCS16-0020	Plate, Orbital	1
5	FCS16-0190	Plate, Clamping	1
6	FCS16-0110	Cover, Bottom	1
7	FCS16-0100	Block, Bearing	1
8	FCS16-0030	Motor, Electric, 3/4 HP, 115 Volt	1
9	FCS16-0330	Bearing, Support	1
10	15050700	Screw, Cap, 5/16-18 UNC x 7/8", Plated	14
11	16050000	Washer, Lock, 5/16", Plated	10
12	17040000	Washer, Flat, 1/4", Plated	4
13	48050800	Screw, Cap, Self Tap, 5/16-18 UNC x 3/4", Plated	10
14	86060000	Nut, Hexagon, Flange, 3/8-16 UNC, Plated	8
15	18060000	Nut, Hexagon, 3/8-16 UNC, Plated	2
16	FCS16-0320	Bearing, 2 Bolt Flange	1
17	FCS16-0070	Hub, Offset	1
18	60060800	Screw, Socket Head, 3/8-16 UNC x 1", Plated	2
19	63031000	Key, Square, 3/16" x 3/16" x 1-1/4"	1
20	87061800	Bolt, Carriage, 3/8-16 UNC x 2-1/4", Plated	2
21	55050600	Screw, Button Head, 5/16-18 UNC x 3/4", Plated	2
22	49060000	Washer, Fender, 3/8" x 1-1/2"	12
23	FCS16-0310	Mount, Rubber	4
24	15060800	Screw, Cap, 3/8-16 UNC x 1", Plated	4
25	16060000	Washer, Lock, 3/8", Plated	4
26	SP8-0430	Bearing, Flange	1
27	53050000	Nut, Hexagon, Nylock®, 5/16-18 UNC, Plated	2
28	15050800	Screw, Cap, 5/16-18 UNC x 1", Plated	2
29	43060000	Nut, Wing, 3/8-16 UNC, Plated	2
30	FCS16-0210	Pin/Lanyard Assembly	2
31	15050600	Screw, Cap, 5/16-18 UNC x 3/4", Plated	4
32	FCS16-0220	Bar, Stop	2
33	FCS16-0300	Grommet	2
34	FCS16-0260	T-Handle Hex Key, 3/16"	1
35	20031000	Pin, Roll, 3/16 x 1-1/4"	2
36	FCS16-0200	Tube, Handle	1
37	KIC-172	Ring, Kick Out	2



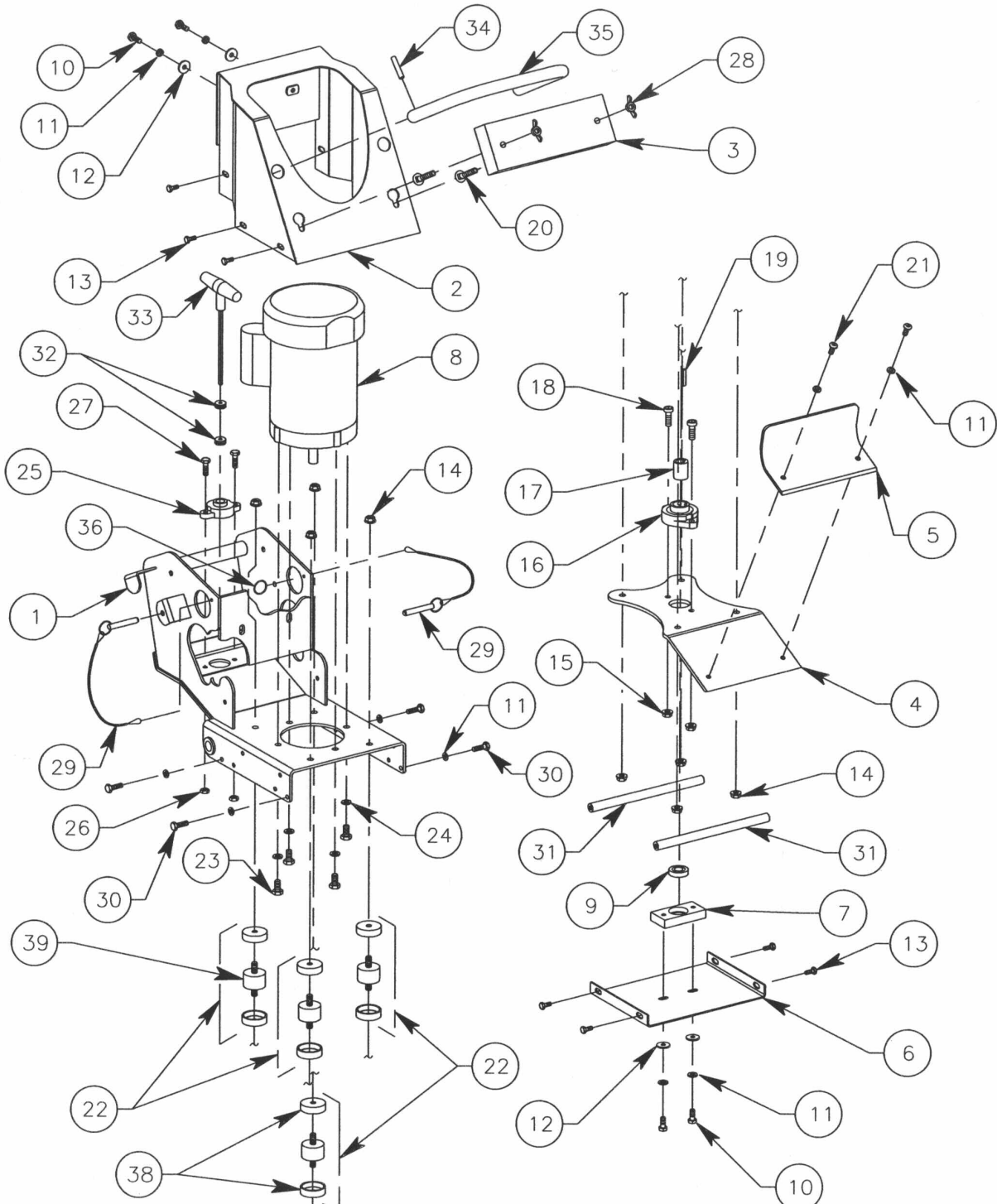
Know what's below.
Call before you dig.



Frame Assembly

FCS16 Floor Covering Scraper

[Serial Numbers 26797 Thru 26814]



Know what's below.
Call before you dig.

Frame Assembly
FCS16 Floor Covering Scraper
[Serial Numbers 26797 Thru 26814]

REFERENCE NUMBER	PART NUMBER	DESCRIPTION	QTY
1	FCS16-0010	Frame	1
2	FCS16-0170	Cover, Motor	1
3	FCS16-0230	Block, Weight	1
4	FCS16-0020	Plate, Orbital	1
5	FCS16-0190	Plate, Clamping	1
6	FCS16-0110	Cover, Bottom	1
7	FCS16-0100	Block, Bearing	1
8	FCS16-0030	Motor, Electric, 3/4 HP, 115 Volt	1
9	FCS16-0330	Bearing, Support	1
10	15050700	Screw, Cap, 5/16-18 UNC x 7/8", Plated	4
11	16050000	Washer, Lock, 5/16", Plated	10
12	17040000	Washer, Flat, 1/4", Plated	4
13	48050800	Screw, Cap, Self Tap, 5/16-18 UNC x 3/4", Plated	10
14	86060000	Nut, Hexagon, Flange, 3/8-16 UNC, Plated	8
15	18060000	Nut, Hexagon, 3/8-16 UNC, Plated	2
16	FCS16-0320	Bearing, 2 Bolt Flange	1
17	FCS16-0070	Hub, Offset	1
18	60060800	Screw, Socket Head, 3/8-16 UNC x 1", Plated	2
19	63031000	Key, Square, 3/16" x 3/16" x 1-1/4"	1
20	87061800	Bolt, Carriage, 3/8-16 UNC x 2-1/4", Plated	2
21	55050600	Screw, Button Head, 5/16-18 UNC x 3/4", Plated	2
22	FCS16-0311	Rubber Mount Assembly	4
23	15060800	Screw, Cap, 3/8-16 UNC x 1", Plated	4
24	16060000	Washer, Lock, 3/8", Plated	4
25	SP8-0430	Bearing, Flange	1
26	53050000	Nut, Hexagon, Nylock®, 5/16-18 UNC, Plated	2
27	15050800	Screw, Cap, 5/16-18 UNC x 1", Plated	2
28	43060000	Nut, Wing, 3/8-16 UNC, Plated	2
29	FCS16-0210	Pin/Lanyard Assembly	2
30	15050600	Screw, Cap, 5/16-18 UNC x 3/4", Plated	4
31	FCS16-0220	Bar, Stop	2
32	FCS16-0300	Grommet	2
33	FCS16-0260	T-Handle Hex Key, 3/16"	1
34	20031000	Pin, Roll, 3/16 x 1-1/4"	2
35	FCS16-0200	Tube, Handle	1
36	KIC-172	Ring, Kick Out	2
37	FCS16-0311-010	Mount, Rubber	4
38	FCS16-0311-020	Cup, Rubber Mount	8



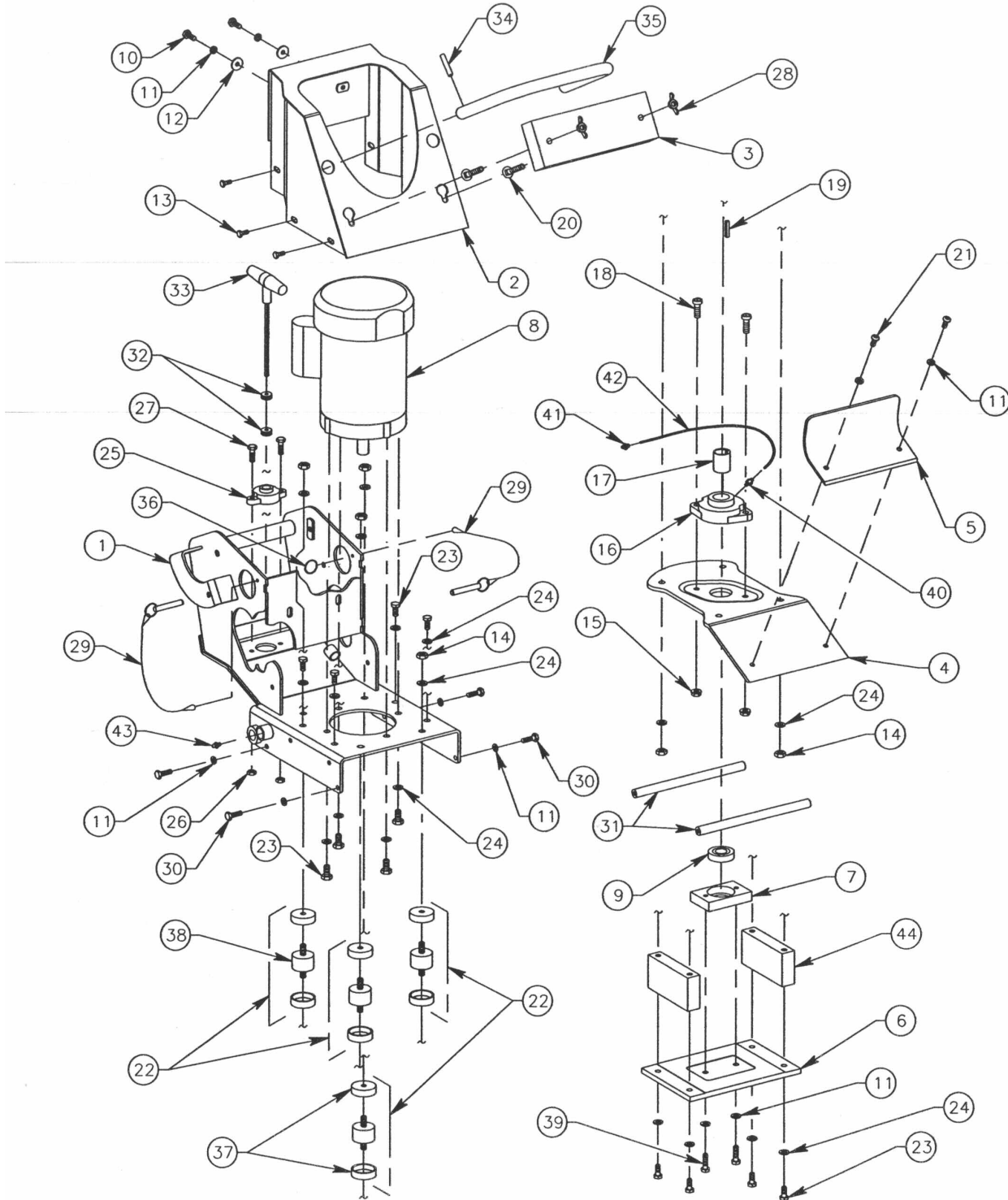
Know what's below.
Call before you dig.



Frame Assembly

FCS16 Floor Covering Scraper

[Serial Number 26815 thru 27104]



Know what's below.
Call before you dig.

Frame Assembly FCS16 Floor Covering Scraper [Serial Number 26815 thru 27104]

REFERENCE NUMBER	PART NUMBER	DESCRIPTION	QTY
1	FCS16-0011	Frame, Main	1
2	FCS16-0170	Cover, Motor	1
3	FCS16-0230	Block, Weight	1
4	FCS16-0022	Plate, Orbital	1
5	FCS16-0190	Plate, Clamping	1
6	FCS16-0111	Plate, Bottom	1
7	FCS16-0101	Block, Bearing	1
8	FCS16-0031	Motor, Electric, 3/4 HP, 115 Volt	1
9	FCS16-0331	Bearing, Support	1
10	15050700	Screw, Cap, 5/16-18 UNC x 7/8", Plated	2
11	16050000	Washer, Lock, 5/16", Plated	10
12	17040000	Washer, Flat, 1/4", Plated	2
13	48050800	Screw, Cap, Self Tap, 5/16-18 UNC x 3/4", Plated	6
14	18060000	Nut, Hexagon, 3/8-16 UNC, Plated	8
15	86070000	Nut, Hexagon, Flange, 7/16-14 UNC, Plated	2
16	FCS16-0321	Bearing, 2 Bolt Flange	1
17	FCS16-0071	Hub, Offset	1
18	60071000	Screw, Socket Head, 7/16-14 UNC x 1-1/4", Plated	2
19	63030800	Key, Square, 3/16" x 3/16", 1"	1
20	87061800	Bolt, Carriage, 3/8-16 UNC x 2-1/4", Plated	2
21	55050600	Screw, Button Head, 5/16-18 UNC x 3/4", Plated	2
22	FCS16-0311	Rubber Mount Assembly (Includes (1) P/N FCS16-0311-010, (2) P/N FCS16-0311-020 (2) 18060000, (2) 16060000)	4
23	15060800	Screw, Cap, 3/8-16 UNC x 1", Plated	12
24	16060000	Washer, Lock, 3/8", Plated	16
25	SP8-0430	Bearing, Flange	1
26	53050000	Nut, Hexagon, Nylock®, 5/16-18 UNC, Plated	2
27	15050800	Screw, Cap, 5/16-18 UNC x 1", Plated	2
28	43060000	Nut, Wing, 3/8-16 UNC, Plated	2
29	FCS16-0210	Pin/Lanyard Assembly	2
30	15050600	Screw, Cap, 5/16-18 UNC x 3/4", Plated	4
31	FCS16-0220	Bar, Stop	2
32	FCS16-0300	Grommet	2
33	FCS16-0260	T-Handle Hex Key, 3/16"	1
34	20031000	Pin, Roll, 3/16 x 1-1/4"	2
35	FCS16-0200	Tube, Handle	1
36	KIC-172	Ring, Kick Out	2
37	FCS16-0311-020	Cup, Rubber Mount	8
38	FCS16-0311-010	Mount, Rubber	4
39	15050900	Screw, Cap, 5/16-18 UNC x 1-1/8", Plated	2
40	SG12-0130		

Frame Assembly
FCS16 Floor Covering Scraper
[Serial Number 26815 thru 27104]

REFERANCE NUMBER	PART NUMBER	DESCRIPTION	QTY
41	SG12-0120	Connector, Grease	1
42	FCS16-0380	Connector, Grease, 1/8" Pipe	1
43	SP8-0590	Hose Grease, 5/32" Clear (11" Length)	1
44	FCS16-0370	Fitting, Grease, Straight	1
		Bar, Stand Off	2



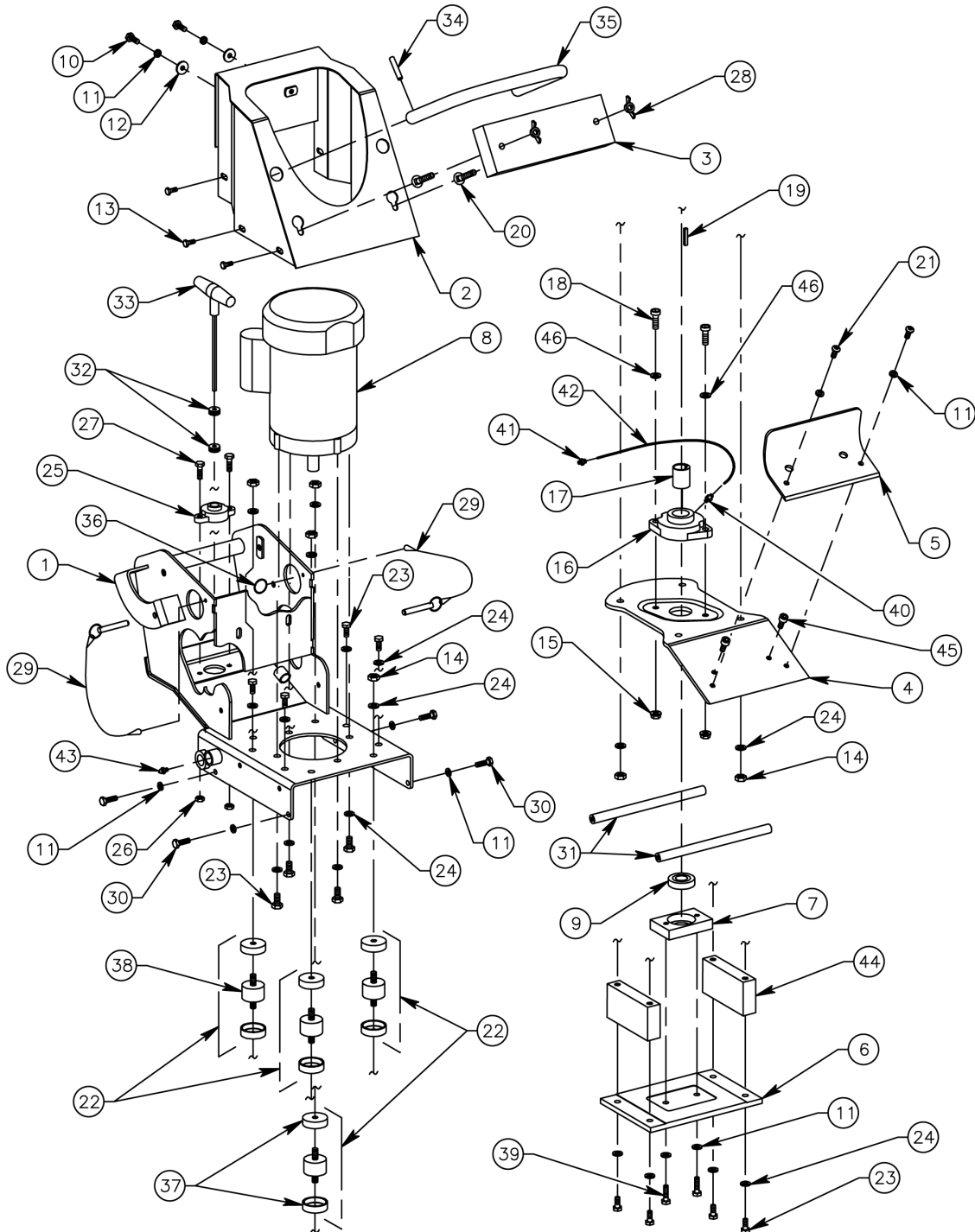
Know what's below.
Call before you dig.



Frame Assembly

FCS16 Floor Covering Scraper

[Serial Number 27105 thru 28103]



Frame Assembly FCS16 Floor Covering Scraper [Serial Number 27105 thru 28103]

REFERANCE NUMBER	PART NUMBER	DESCRIPTION	QTY
1	FCS16-0011	Frame, Main	1
2	FCS16-0170	Cover, Motor	1
3	FCS16-0230	Block, Weight	1
4	FCS16-0022	Plate, Orbital	1
5	FCS16-0191	Plate, Clamping	1
6	FCS16-0111	Plate, Bottom	1
7	FCS16-0101	Block, Bearing	1
8	FCS16-0031	Motor, Electric, 3/4 HP, 115 Volt (Includes (1) P/N 63031300)	1
9	FCS16-0331	Bearing, Support	1
10	15050700	Screw, Cap, 5/16-18 UNC x 7/8", Plated	2
11	16050000	Washer, Lock, 5/16", Plated	10
12	17040000	Washer, Flat, 1/4", Plated	2
13	48050800	Screw, Cap, Self Tap, 5/16-18 UNC x 3/4", Plated	6
14	18060000	Nut, Hexagon, 3/8-16 UNC, Plated	8
15	86070000	Nut, Hexagon, Flange, 7/16-14 UNC, Plated	2
16	FCS16-0321	Bearing, 2 Bolt Flange	1
17	FCS16-0071	Hub, Offset	1
18	60071000	Screw, Socket Head, 7/16-14 UNC x 1-1/4", Plated	2
19	63030800	Key, Square, 3/16" x 3/16", 1" (Serial Numbers 27105 Thru 27123)	1
	63031300	Key, Square, 3/16" x 3/16", 1-5/8" (Serial Numbers 27124)	1
20	87061800	Bolt, Carriage, 3/8-16 UNC x 2-1/4", Plated	2
21	55050600	Screw, Button Head, 5/16-18 UNC x 3/4", Plated	2
22	FCS16-0311	Rubber Mount Assembly (Includes (1) P/N FCS16-0311-010, (2) P/N FCS16-0311-020 (2) 18060000, (2) 16060000)	4
23	15060800	Screw, Cap, 3/8-16 UNC x 1", Plated	12
24	16060000	Washer, Lock, 3/8", Plated	16
25	SP8-0430	Bearing, Flange	1
26	53050000	Nut, Hexagon, Nylock®, 5/16-18 UNC, Plated	2
27	15050800	Screw, Cap, 5/16-18 UNC x 1", Plated	2
28	43060000	Nut, Wing, 3/8-16 UNC, Plated	2
29	FCS16-0210	Pin/Lanyard Assembly	2
30	15050600	Screw, Cap, 5/16-18 UNC x 3/4", Plated	4
31	FCS16-0220	Bar, Stop	2
32	FCS16-0300	Grommet	2
33	FCS16-0260	T-Handle Hex Key, 3/16"	1
34	20031000	Pin, Roll, 3/16 x 1-1/4"	2
35	FCS16-0200	Tube, Handle	1
36	KIC-172	Ring, Kick Out	2

Frame Assembly
FCS16 Floor Covering Scraper
[Serial Number 27105 thru 28103]

REFERANCE NUMBER	PART NUMBER	DESCRIPTION	QTY
37	FCS16-0311-020	Cup, Rubber Mount	8
38	FCS16-0311-010	Mount, Rubber	4
39	15050900	Screw, Cap, 5/16-18 UNC x 1-1/8", Plated	2
40	SG12-0130	Connector, Grease	1
41	SG12-0120	Connector, Grease, 1/8" Pipe	1
42	FCS16-0380	Hose Grease, 5/32" Clear (11" Length)	1
43	SP8-0590	Fitting, Grease, Straight	1
44	FCS16-0370	Bar, Stand Off	2
45	60050300	Screw, Cap, Socket Head, 5/16-18 UNC x 3/8", Plated	2
46	AN-960-716	Washer, AN Type, 7/16", Plated	2



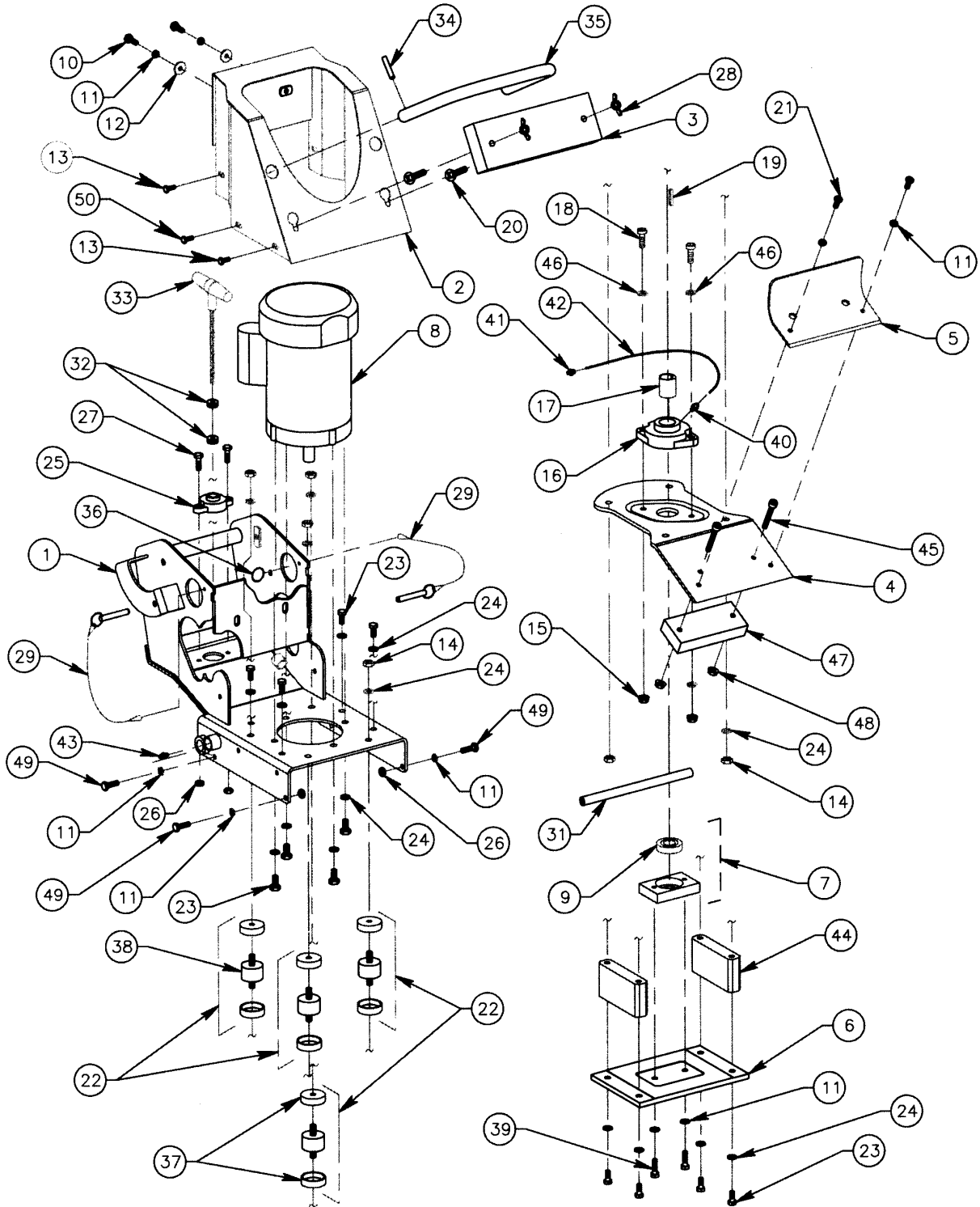
Know what's below.
 Call before you dig.



Frame Assembly

FCS16 Floor Covering Scraper

[Used Starting With Serial Number 28104]



Frame Assembly
FCS16 Floor Covering Scraper
[Used Starting With Serial Number 28104]

REFERANCE NUMBER	PART NUMBER	DESCRIPTION	QTY
1	FCS16-0011	Frame, Main	1
2	FCS16-0170	Cover, Motor	1
3	FCS16-0230	Block, Weight	1
4	FCS16-0022	Plate, Orbital	1
5	FCS16-0191	Plate, Clamping	1
6	FCS16-0111	Plate, Bottom	1
7	FCS16-0331A	Support Bearing Assembly (Includes (1) P/N FCS16-0331)	1
8	FCS16-0031	Motor, Electric, 3/4 HP, 115 Volt (Includes (1) P/N 63031300)	1
9	FCS16-0331	Bearing, Support	1
10	15050700	Screw, Cap, 5/16-18 UNC x 7/8", Plated	2
11	16050000	Washer, Lock, 5/16", Plated	9
12	17040000	Washer, Flat, 1/4", Plated	2
13	48050800	Screw, Cap, Self Tap, 5/16-18 UNC x 3/4", Plated	4
14	18060000	Nut, Hexagon, 3/8-16 UNC, Plated	8
15	86070000	Nut, Hexagon, Flange, 7/16-14 UNC, Plated	2
16	FCS16-0321	Bearing, 2 Bolt Flange	1
17	FCS16-0071	Hub, Offset	1
18	60071000	Screw, Socket Head, 7/16-14 UNC x 1-1/4", Plated	2
19	63030800	Key, Square, 3/16" x 3/16", 1" (Serial Numbers 27105 Thru 27123)	1
	63031300	Key, Square, 3/16" x 3/16", 1-5/8" (Serial Numbers 27124)	1
20	87061800	Bolt, Carriage, 3/8-16 UNC x 2-1/4", Plated	2
21	55050600	Screw, Button Head, 5/16-18 UNC x 3/4", Plated	2
22	FCS16-0311	Rubber Mount Assembly (Includes (1) P/N FCS16-0311-010, (2) P/N FCS16-0311-020 (2) 18060000, (2) 16060000)	4
23	15060800	Screw, Cap, 3/8-16 UNC x 1", Plated	12
24	16060000	Washer, Lock, 3/8", Plated	16
25	SP8-0430	Bearing, Flange	1
26	53050000	Nut, Hexagon, Nylock®, 5/16-18 UNC, Plated	4
27	15050800	Screw, Cap, 5/16-18 UNC x 1", Plated	2
28	43060000	Nut, Wing, 3/8-16 UNC, Plated	2
29	FCS16-0210	Pin/Lanyard Assembly	2
30	15050600	Screw, Cap, 5/16-18 UNC x 3/4", Plated	2
31	FCS16-0220	Bar, Stop	1
32	FCS16-0300	Grommet	2
33	FCS16-0260	T-Handle Hex Key, 3/16"	1
34	20031000	Pin, Roll, 3/16 x 1-1/4"	2
35	FCS16-0200	Tube, Handle	1
36	KIC-172	Ring, Kick Out	2

Frame Assembly
FCS16 Floor Covering Scraper
[Used Starting With Serial Number 28104]

REFERANCE NUMBER	PART NUMBER	DESCRIPTION	QTY
37	FCS16-0311-020	Cup, Rubber Mount	8
38	FCS16-0311-010	Mount, Rubber	4
39	15050900	Screw, Cap, 5/16-18 UNC x 1-1/8", Plated	2
40	SG12-0130	Connector, Grease	1
41	SG12-0120	Connector, Grease, 1/8" Pipe	1
42	FCS16-0380	Hose Grease, 5/32" Clear (11" Length)	1
43	SP8-0590	Fitting, grease, Straight	1
44	FCS16-0370	Bar, Stand Off	2
45	60051000	Screw, Cap, Socket Head, 5/16-18 UNC x 1-1/4", Plated	2
46	AN-960-716	Washer, AN Type, 7/16", Plated	2
47	FCS16-0390	Weight, Balance	1
48	39050000	Nut, Hexagon, Flange, 5/16-18 UNC, Plated	2
49	15050600	Screw, Cap, 5/16-18 UNC x 3/4", Plated	4
50	48050400	Screw, Cap, Selt Tap, 5/16-18 UNC x 1/2", Plated	2



Know what's below.
Call before you dig.

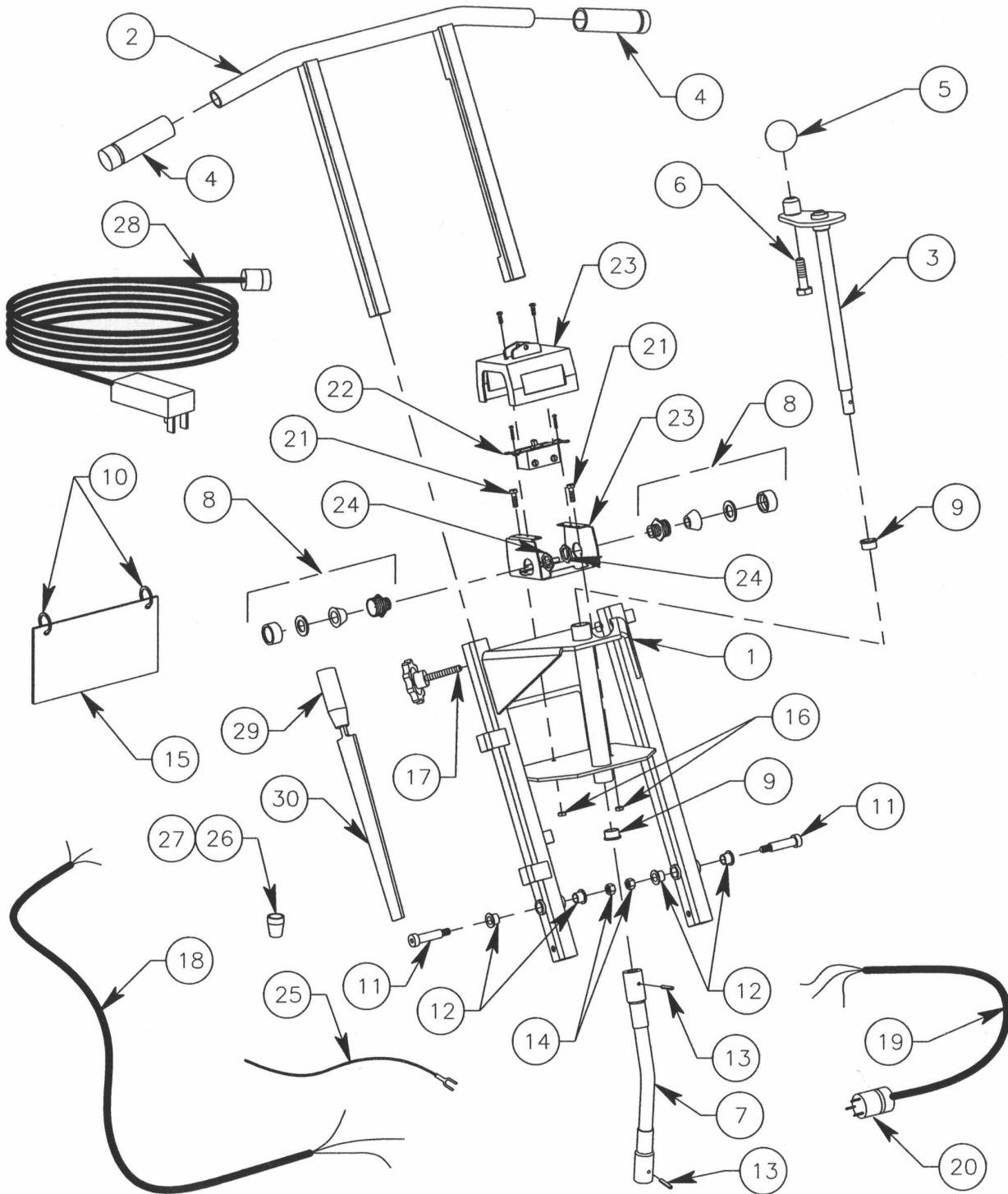
Left Blank



Know what's below.
Call before you dig.



Operator Handle Assembly FCS16 Floor Covering Scraper [Serial Numbers 25550 Thru 25843]



Operator Handle Assembly
FCS16 Floor Covering Scraper
[Serial Numbers 25550 Thru 25843]

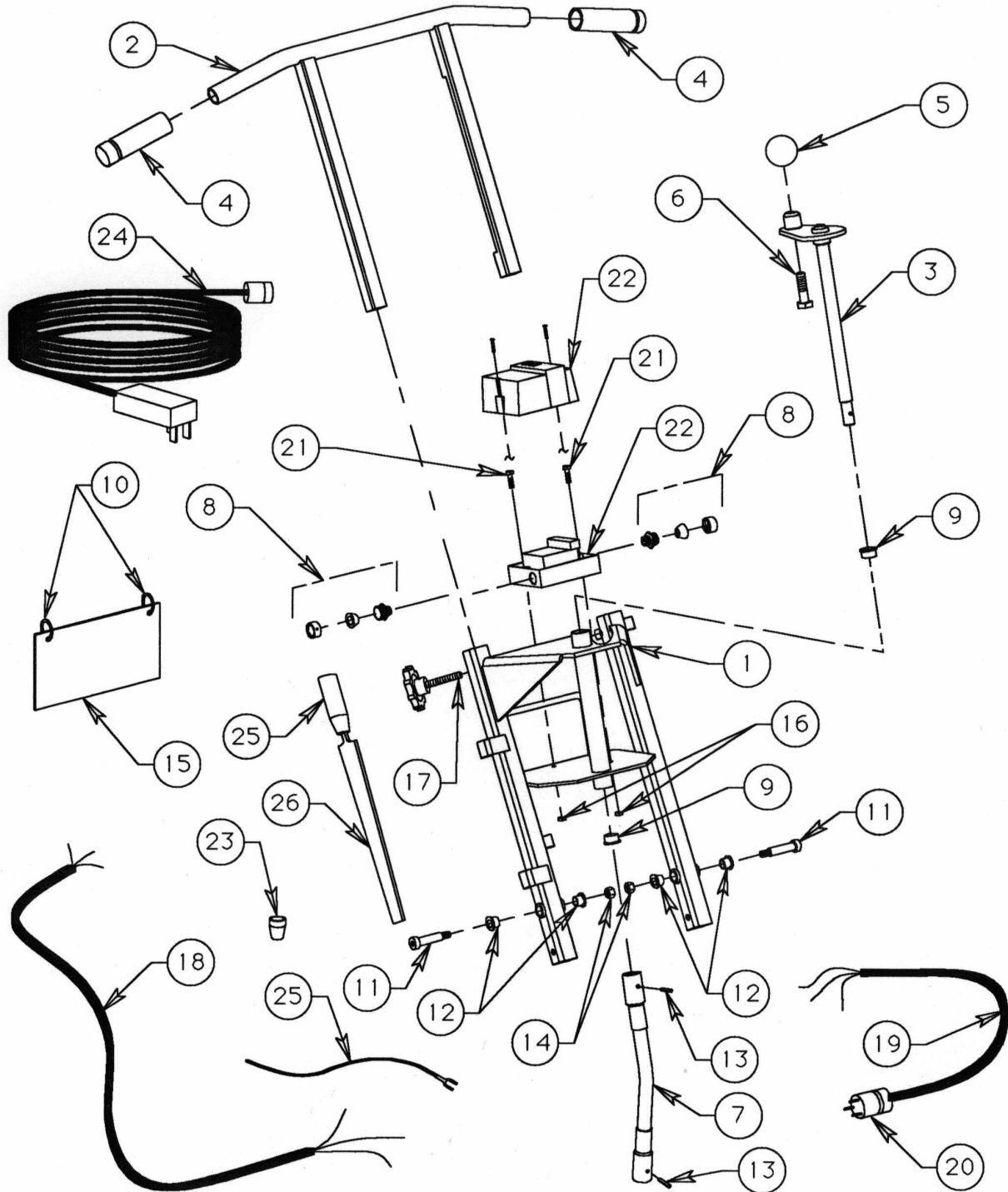
REFERANCE NUMBER	PART NUMBER	DESCRIPTION	QTY
1	FCS16-0180	Handle, Lower	1
2	FCS16-0160	Handle Top	1
3	FCS16-0140	Crank, Assembly	1
4	FCS16-0290	Grip, Rubber	2
5	SP8-0120	Knob, handle	1
6	15081600	Screw, Cap, 1/2-13 UNC x 2", Plated	1
7	FCS16-0120	Hose, U-Joint	1
8	CG-3150	Bushing, Strain Relief	2
9	660-0410	Bushing, Bronze 3/4" ID	2
10	KIC-172	Ring, Kick-out	2
11	62081400	Bolt, Shoulder, 1/2" x 1-3/4"	2
12	FCS16-0340	Bushing, Bronze, 1/2" ID	4
13	20030900	Pin, Roll, 3/16" x 1-1/8"	2
14	86060000	Nut, Hexagon, Flange, 3/8-16 UNC, Plated	2
15	FCS16-0280	Sign, Tips	1
16	53030000	Nut, Hexagon, Nylock, #10-24 UNC, Plated	2
17	FCS16-0150	Knob, Assembly	2
18	FCS16-0080	Cable, Switch/Motor	1
19	FCS16-0040	Cable, Plug/Switch	1
20	HUB-4720C	Plug, Twist Lock, Male 15A	1
21	60030500	Screw, Socket Head, #10-24 UNC, Plated	2
22	HUB-1222	Switch, Assembly	1
23	HUB-1390	Housing, Switch	1
24	801	Nut, Bulkhead	2
25	FCS16-0350	With, Pigtail Ground	2
26	WIRE NUT R	Nut, Wire (Red)	1
27	WIRE NUT Y	Nut, Wire (Yellow)	2
28	FCS16-1000	Cord, Extension (With Integral GFI Switch)	1
29	FCS16-0250	File Handle, Long Ferrule	1
30	FCS16-0270	File, Mill Bastard (10")	1



Know what's below.
Call before you dig.



Operator Handle Assembly FCS16 Floor Covering Scraper (Serial Numbers 25844 Thru 28477)



Know what's below.
Call before you dig.

**Operator Handle Assembly
FCS16 Floor Covering Scraper
(Serial Numbers 25844 Thru 28477)**

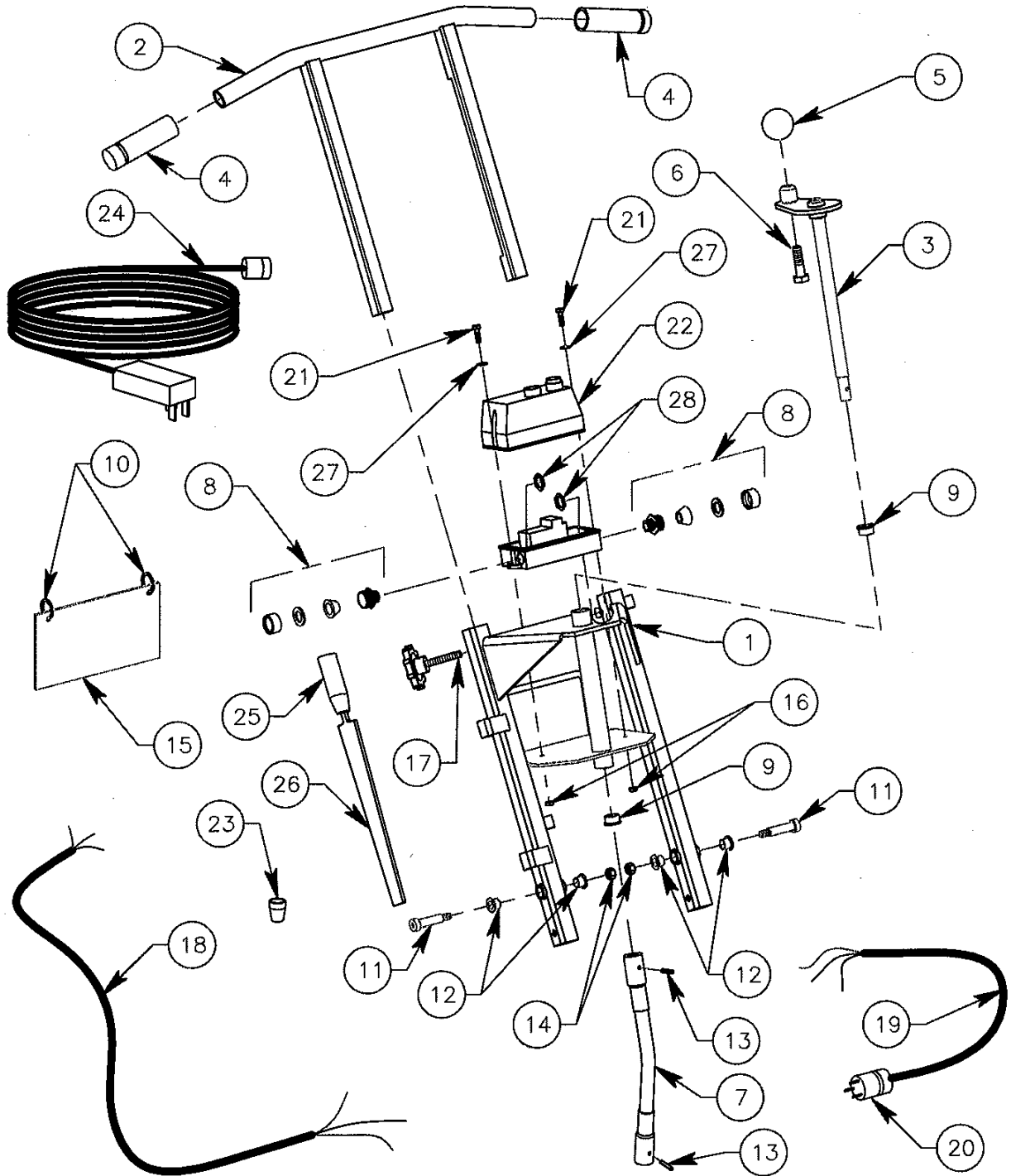
REFERENCE NUMBER	PART NUMBER	DESCRIPTION	REQUIRED QUANTITY
1	FCS16-0180	Handle, Lower	1
2	FCS16-0160	Handle, Top	1
3	FCS16-0140	Crank Assembly	1
4	FCS16-0290	Grip, Rubber	2
5	SP8-0120	Knob, Handle	1
6	15081600	Screw, Cap, 1/2-13 UNC x 2", Plated	1
7	FCS16-0120	Hose, U-Joint	1
8	FCS16-0460-010	Bushing, Strain Relief	2
9	660-0410	Bushing, Bronze, 3/4" ID	2
10	KIC-172	Ring, Kick-out	2
11	62081400	Bolt, Shoulder, 1/2" x 1-3/4"	2
12	FCS16-0340	Bushing, Bronze, 1/2" ID	4
13	20030900	Pin, Roll, 3/16" x 1-1/8"	2
14	86060000	Nut, Hexagon, Flange, 3/8-16 UNC, Plated	2
15	FCS16-0280	Sign, Tips	1
16	53030000	Nut, Hexagon, Nylock®, #10-24 UNC, Plated	2
17	FCS16-0150	Knob, Assembly	2
18	FCS16-0081	Cable, Switch/Motor	1
19	FCS16-0041	Cable, Plug/Switch	1
20	HUB-4720C	Plug, Twist Lock, Male, 15A	1
21	60030500	Screw, Socket Head, #10-24 UNC, Plated	2
22	FCS16-0460	Switch, Magnetic Starter	1
23	WIRE NUT Y	Nut, Wire (Yellow)	1
24	FCS16-1000	Cord, Extension (With Integral GFI Switch)	1
25	FCS16-0250	File Handle, Long Ferrule	1
26	FCS16-0270	File, Mill Bastard (10")	1



Know what's below.
Call before you dig.



Operator Handle Assembly FCS16 Floor Covering Scraper (Used Starting With Serial Numbers 28478)



**Operator Handle Assembly
FCS16 Floor Covering Scraper
(Used Starting With Serial Numbers 28478)**

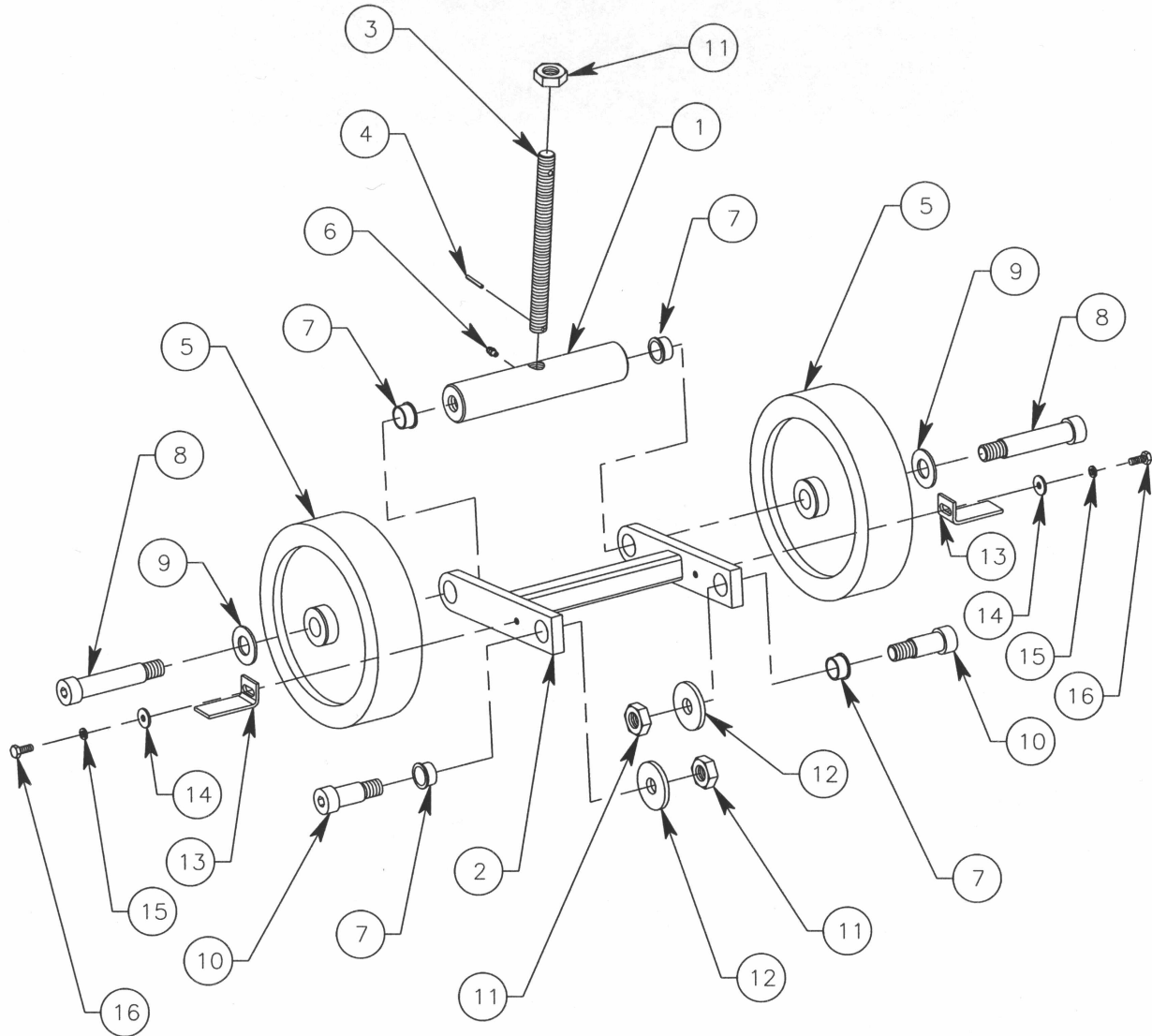
REFERENCE NUMBER	PART NUMBER	DESCRIPTION	REQUIRED QUANTITY
1	FCS16-0180	Handle, Lower	1
2	FCS16-0160	Handle, Top	1
3	FCS16-0140	Crank Assembly	1
4	FCS16-0290	Grip, Rubber	2
5	SP8-0120	Knob, Handle	1
6	15081600	Screw, Cap, 1/2-13 UNC x 2", Plated	1
7	FCS16-0120	Hose, U-Joint	1
8	CG-5050	Bushing, Strain Relief	2
9	660-0410	Bushing, Bronze, 3/4" ID	2
10	KIC-172	Ring, Kick-out	2
11	62081400	Bolt, Shoulder, 1/2" x 1-3/4"	2
12	FCS16-0340	Bushing, Bronze, 1/2" ID	4
13	20030900	Pin, Roll, 3/16" x 1-1/8"	2
14	86060000	Nut, Hexagon, Flange, 3/8-16 UNC, Plated	2
15	FCS16-0280	Sign, Tips	1
16	53030000	Nut, Hexagon, Nylock®, #8-32 UNC, Plated	2
17	FCS16-0150	Knob, Assembly	2
18	FCS16-0082	Cable, Switch/Motor	1
19	FCS16-0042	Cable, Plug/Switch	1
20	HUB-4720C	Plug, Twist Lock, Male, 15A	1
21	34020700	Round Head Machine Screw, #8-32 x 7/8" UNC, Plated	2
22	FCS16-0461	Switch, Magnetic Starter	1
23	WIRE NUT Y	Nut, Wire (Yellow)	1
24	FCS16-1000	Cord, Extension (With Integral GFI Switch)	1
25	FCS16-0250	File Handle, Long Ferrule	1
26	FCS16-0270	File, Mill Bastard (10")	1
27	17020000	Washer, Flat, #8 Plated	2
28	801	Nut, Bulkhead	2



Know what's below.
Call before you dig.



Adjustable Axle Assembly FCS16 Floor Covering Scraper



Know what's below.
Call before you dig.

Adjustable Axle Assembly FCS16 Floor Covering Scraper

REFERENCE NUMBER	PART NUMBER	DESCRIPTION	REQUIRED QUANTITY
1	FCS16-0060	Axle	1
2	FCS16-0130	Axle Arm Assembly	1
3	FCS16-0050	Screw, Jack	1
4	21020800	Pin, Roll, Spiral, 1/8" x 1"	1
5	FCS16-0240	Wheel, 8"	2
6	550-0590	Fitting, Grease	1
7	660-0410	Bushing, Bronze, 3/4" ID	4
8	62122400	Bolt, Shoulder, 3/4" x 3"	2
9	200682	Washer, Fiber	2
10	62121200	Bolt, Shoulder, 3/4" x 1-1/2"	2
11	18100000	Nut, Hex, 5/8-11 UNC, Plated	2
12	17100000	Washer, Flat, 5/8", Plated	2
13	FCS16-0090	Scraper, Wheel	2
14	17050000	Washer, Flat, 5/16", Plated	2
15	16050000	Washer, Lock, 5/16", Plated	2
16	55050600	Screw, Button Head, 5/16-18 UNC x 3/4", Plated	2



Know what's below.
 Call before you dig.



Decals FCS16 Floor Covering Scraper



Know what's below.
Call before you dig.

Decals
FCS16 Floor Covering Scraper

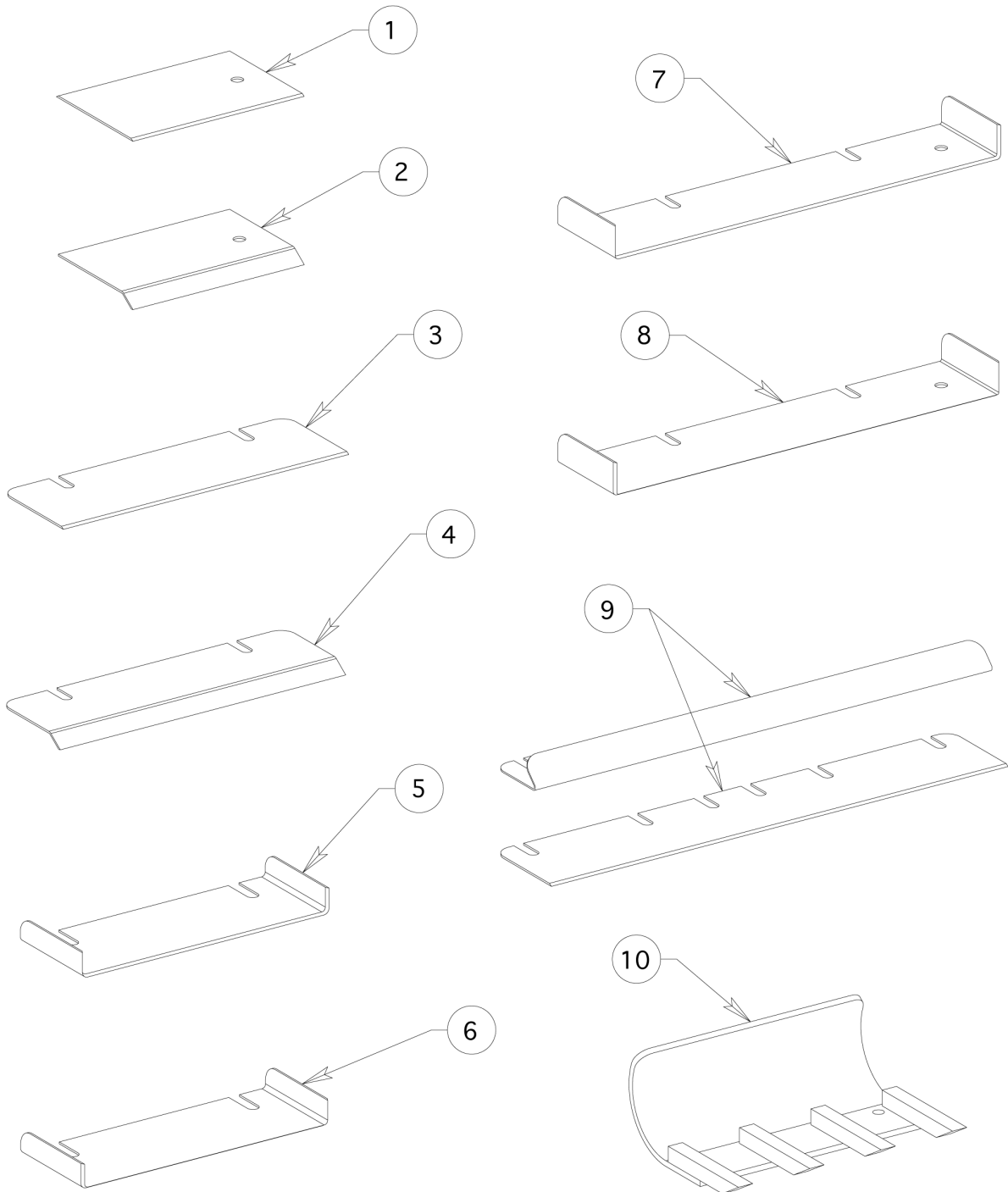
REFERENCE NUMBER	PART NUMBER	DESCRIPTION	REQUIRED QUANTITY
1	FCS16-5050	Decal, "Rip-R-Stripper"	2
2	SP8-5030	Decal, Warning	1
3	GECD-5040	Decal, "GENERAL"	1
4	FCS16-5020	Decal, Warning	1
5	FCS16-5030	Decal, Warning	1
6	SP8-5040	Decal, Warning	1
7	SP8-5050	Decal, Warning	1
8	FCS16-5010	Decal, Angle Adjustment	1
9	232-5020	Decal, Handle Knob	2
10	CS8-5050	Decal, Warning	1
11	FCS16-5040	Decal, Warning	1
12	SG24-5072	Decal, Assistance	1



Know what's below.
Call before you dig.



Replacement Cutting Blades FCS16 Floor Covering Scraper



Replacement Cutting Blades FCS16 Floor Covering Scraper

REFERENCE NUMBER	PART NUMBER	DESCRIPTION	REQUIRED QUANTITY
1	FCS16-1100	Blade, Straight (4" x 6") (General Purpose Removal Projects On Both Concrete And Wood Surfaces)	1
2	FCS16-1200	Blade, Angled (6" Wide) (Mastic And Thin Film Coverings Removal On Concrete Surfaces ONLY)	1
3	FCS16-1300	Blade, Straight (3" x 10") (General Purpose Removal Projects On Both Concrete And Wood Surfaces)	1
4	FCS16-1400	Blade, Angled (10" Wide) (Mastic And Thin Film Coverings Removal On Concrete Surfaces ONLY)	1
5	FCS16-1500	Blade, Scoring (8" Wide) (Glued Carpets And Sheet Type Linoleum, Rubber, PVC, Etc. Products From Concrete Surfaces ONLY)	1
6	FCS16-1600	Blade, Scoring (8" Wide) (Glued Carpets And Sheet Type Linoleum, Rubber, PVC, Etc. Products From Wood Surfaces ONLY)	1
7	FCS16-1700	Blade, Scoring (13" Wide) (Glued Carpets And Sheet Type Linoleum, Rubber, PVC, Etc. Products From Concrete Surfaces ONLY)	1
8	FCS16-1800	Blade, Scoring (13" Wide) (Glued Carpets And Sheet Type Linoleum, Rubber, PVC, Etc. Products From Wood Surfaces ONLY)	1
9	FCS16-1900	Blade, Straight (16" Wide) Includes Blade Stiffener (General Purpose Removal Projects On Both Concrete And Wood Surfaces)	1
10	FCS16-2000	Ripper Attachment (Use For Removing Ceramic Tile, Hardwood Floor Materials, Thick Tiles, And Similar Type Flooring Materials)	1



Know what's below.
Call before you dig.